

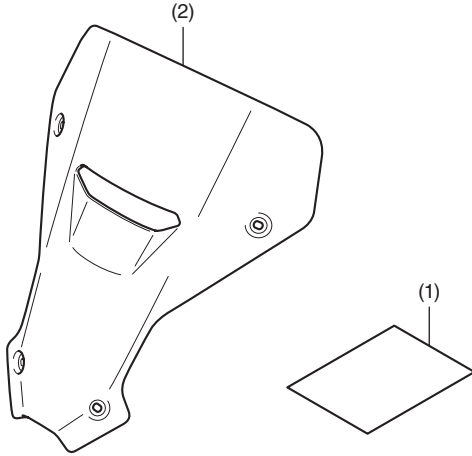


# INSTALLATION INSTRUCTIONS

Accessory	Application	Publication No.
WIND SCREEN (SMOKE) P/N 08R70-MKS-E00	CRF1100A/D	MII
		Issue Date
		April 2021

Honda Dealer: Please give a copy of these instructions to your customer.

## PARTS LIST



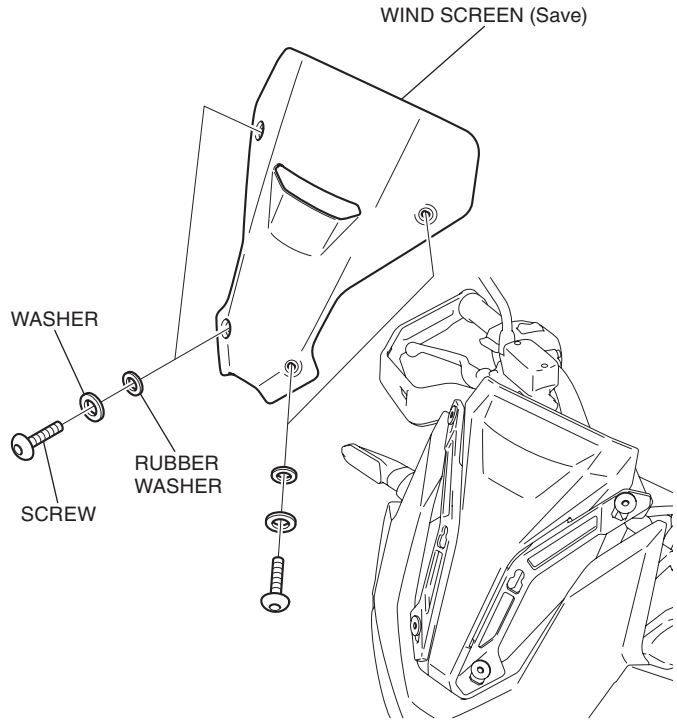
No.	Description	Qty
(1)	URL paper	1
(2)	Wind screen	1

## TORQUE CHART

Refer to the Service Manual for the torque values of the removed parts.

## INSTALLATION

1. Remove the wind screen as shown.



2. Install the wind screen of the accessory in reverse order of the removal.