

HONDA

INSTALLATION INSTRUCTIONS

Accessory

QUICK SHIFTER
P/N 08U70-MKJ-D00

Application

CB1000RA

Publication No.

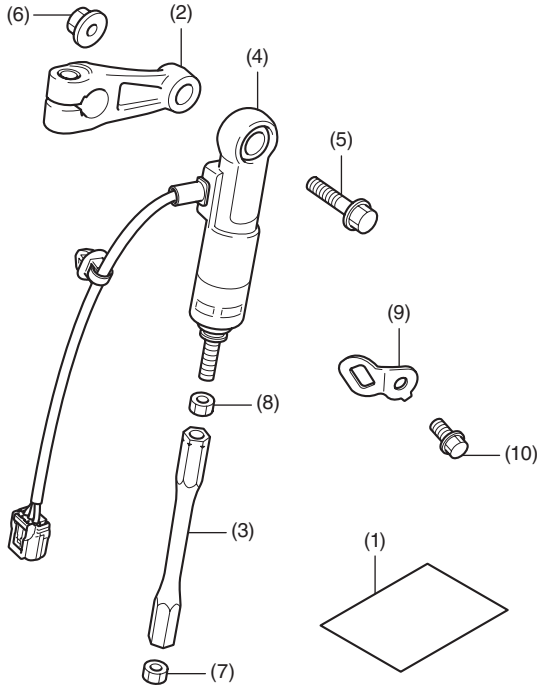
MII

Issue Date

March 2018

Honda Dealer: Please give a copy of these instructions to your customer.

PARTS LIST



No.	Description	Qty
(1)	URL paper	1
(2)	Gear change arm	1
(3)	Change bar	1
(4)	Stroke sensor	1
(5)	7 mm flange bolt	1
(6)	7 mm flange nut	1
(7)	6 mm nut	1
(8)	6 mm nut (left hand thread)	1
(9)	Stroke sensor stay	1
(10)	6 mm SH flange bolt	1

TOOLS AND SUPPLIES REQUIRED

Socket (8 and 10 mm)
Ratchet
Box-end wrench (10 mm)
Open-end wrench (10 mm)
Scale
Grease
Torque wrench

TORQUE CHART

Tighten all screws, bolts, and nuts to their specified torque values. Refer to the Service Manual for the torque values of the removed parts.

Item	N-m	kgf-m	lbf-ft
6 mm SH flange bolt	10	1.0	7
6 mm nut	10	1.0	7
7 mm flange nut	12	1.2	9

INSTALLATION

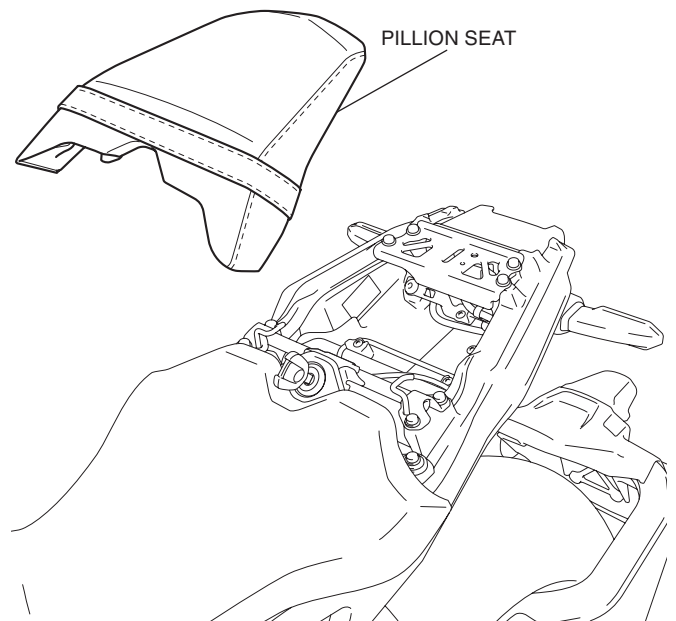
▲ CAUTION

- To prevent burns, allow the engine, exhaust system, radiator, etc., to cool before installing the accessory.
- Be sure to observe all safety messages and precautions described in the Service Manual while removing and installing the fuel tank.

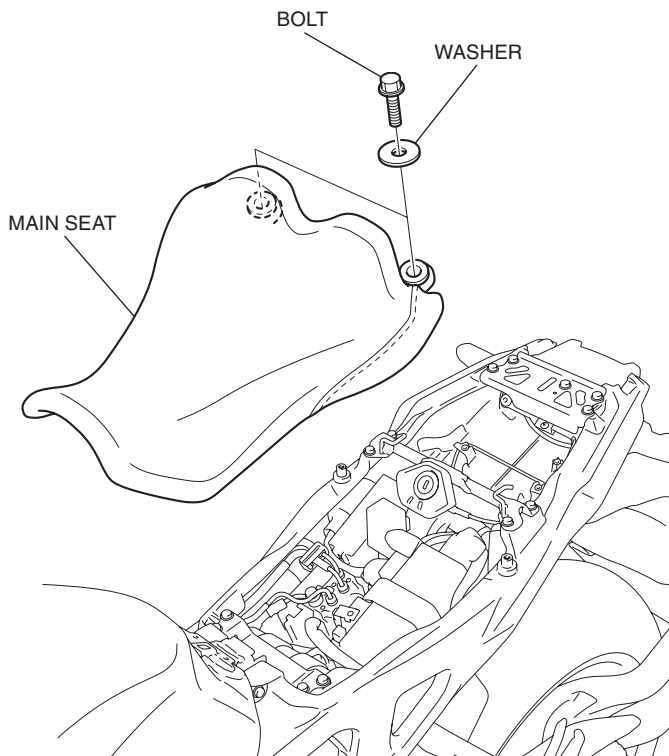
NOTE:

- Do not disassemble the stroke sensor.
- Disconnect the negative (-) cable from the battery before installing this accessory.
- The memories of the clock will be erased when you disconnect the battery. Reset the memories after reconnecting the battery.
- Reinstall the removed parts on the motorcycle and make sure that the wires and harnesses are not pinched.
- Initialization is necessary after installing this accessory.

- Remove the pillion seat as shown.

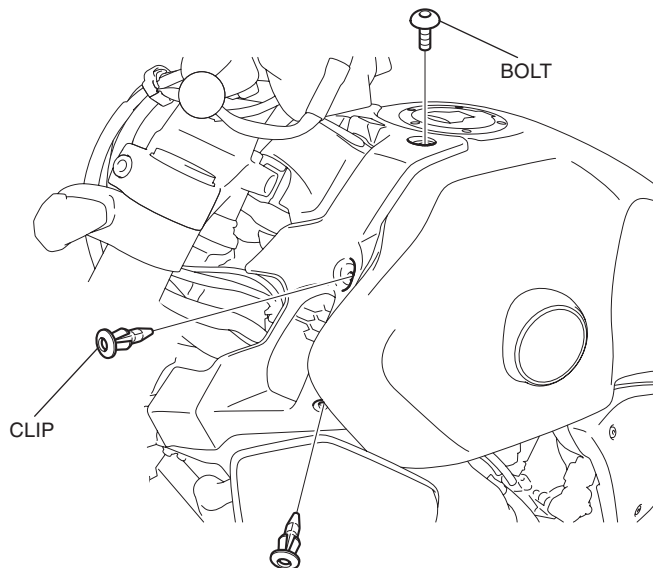


2. Remove the main seat and disconnect the negative (-) cable of the battery.



3. Remove the motorcycle's parts as shown.
• Repeat on the right side.

<Left side>



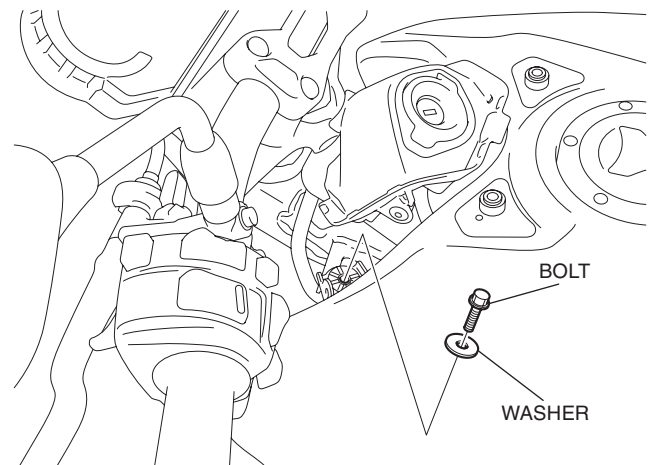
4. Remove the tank front cover as shown.

TANK FRONT COVER



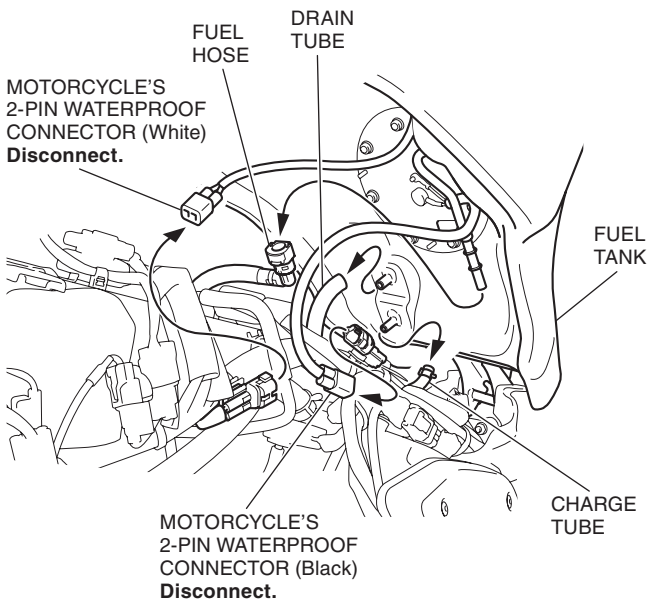
5. Remove the bolt as shown.
• Repeat on the right side.

<Left side>

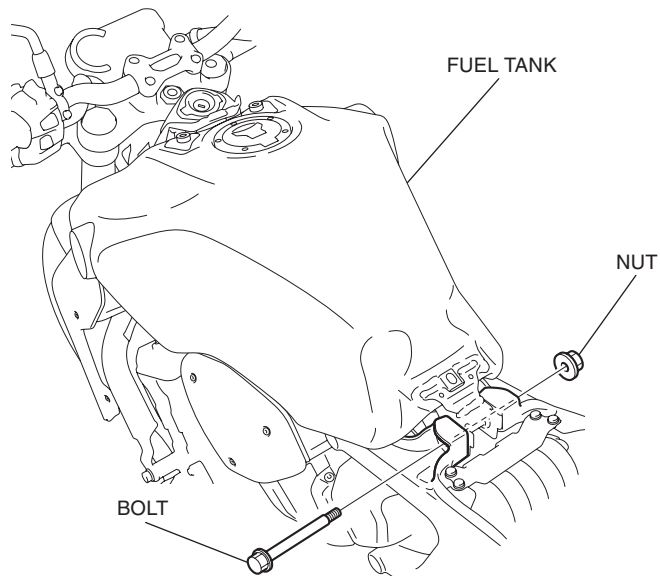


6. Remove the indicated parts with raising the front part of the fuel tank.

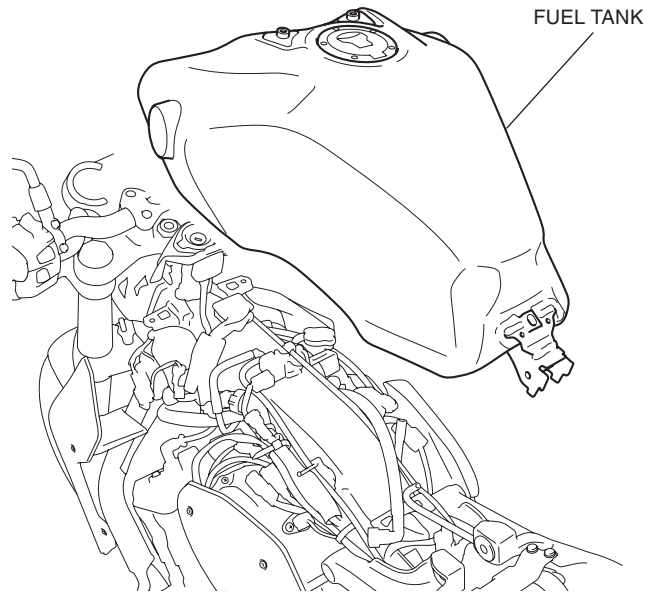
<Left side>



7. Remove the bolt as shown.

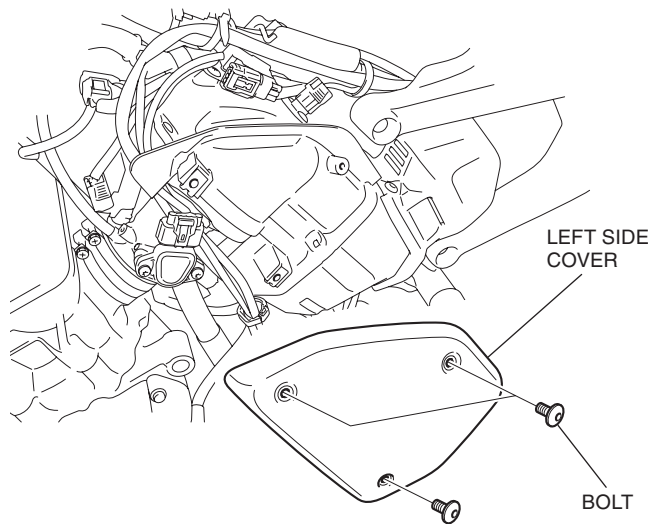


8. Remove the fuel tank as shown.



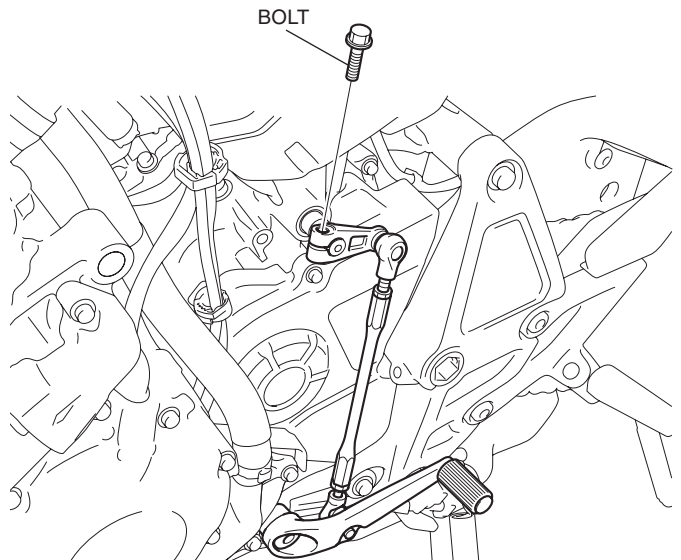
9. Remove the left side cover as shown.

<Left side>

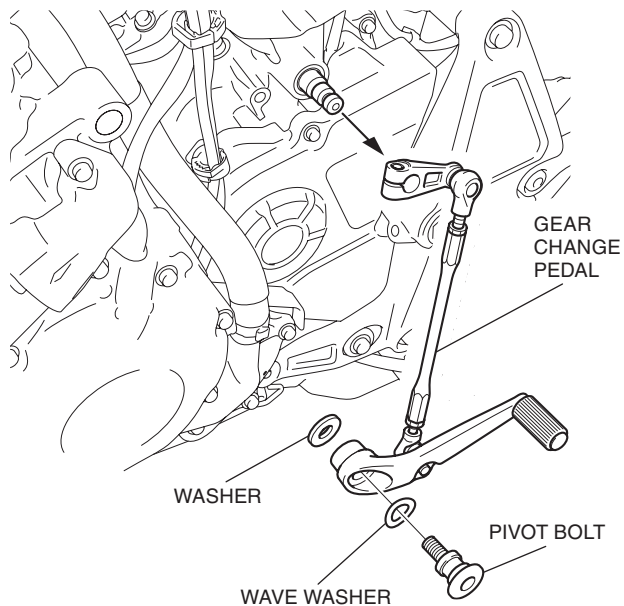


10. Remove the bolt as shown.

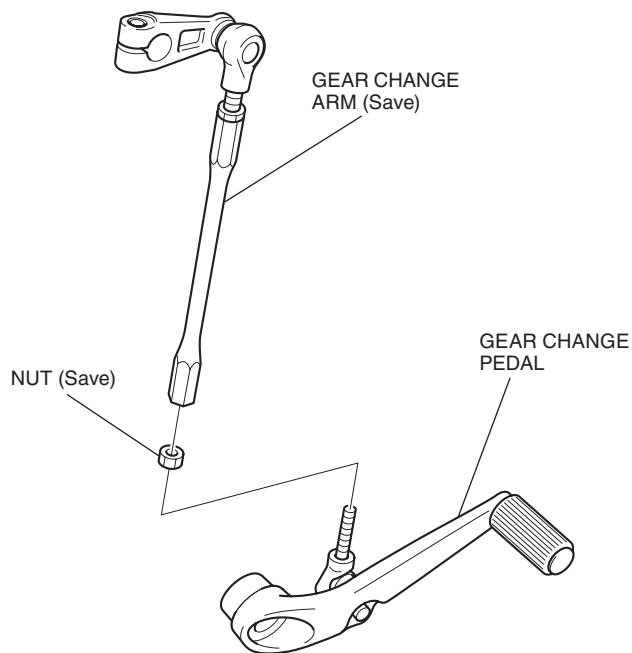
<Left side>



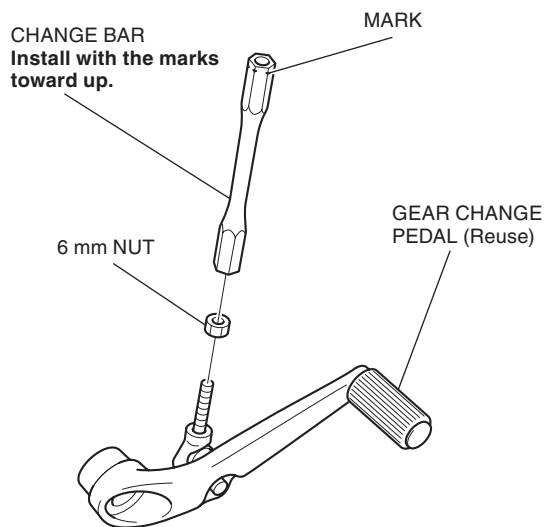
11. Remove the gear change pedal as shown.



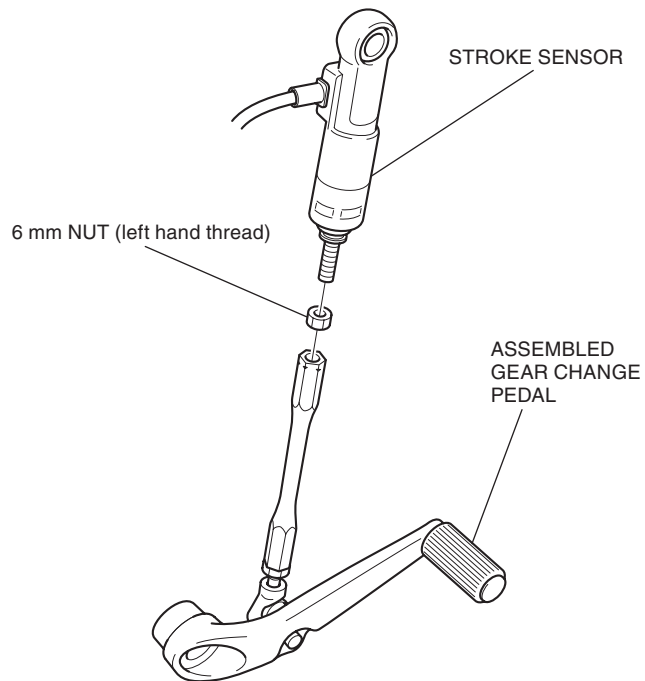
12. Disassemble the gear change pedal as shown.



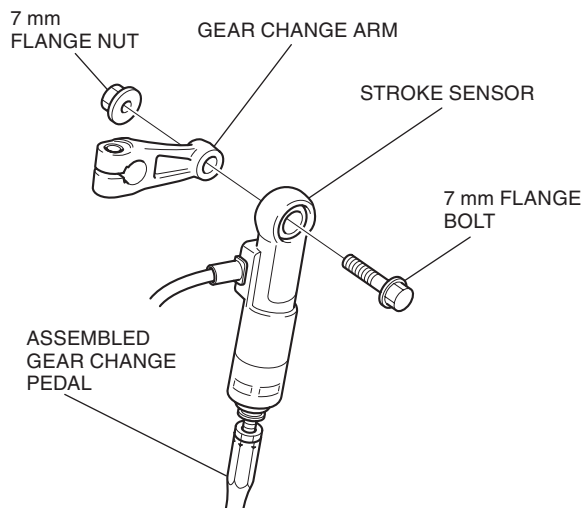
13. Loosely install the change bar and gear change pedal as shown.



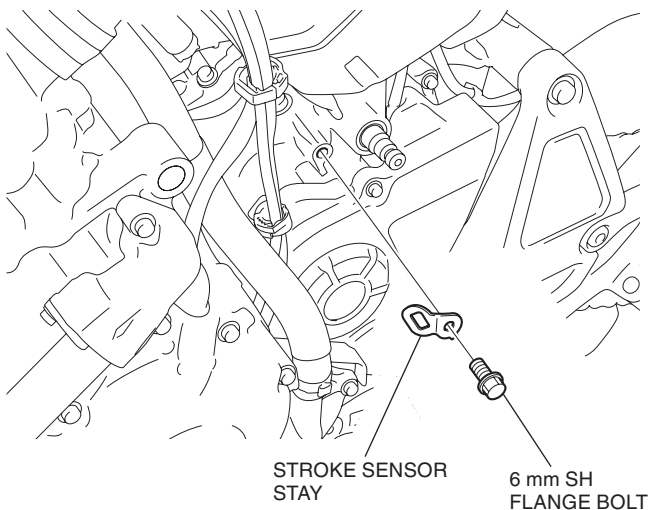
14. Loosely install the stroke sensor as shown.



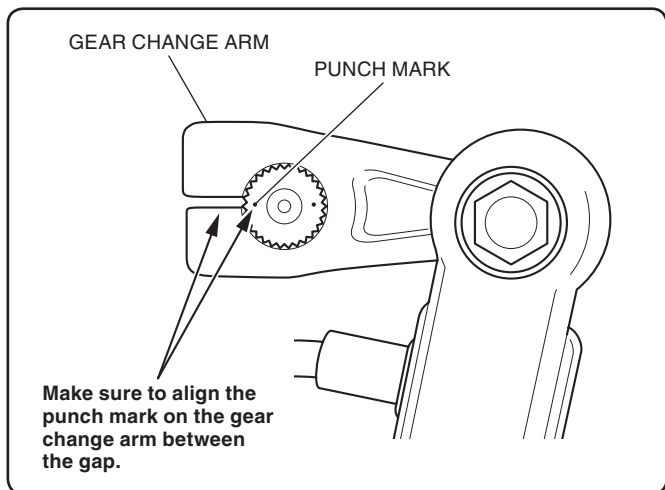
15. Install the gear change arm as shown.



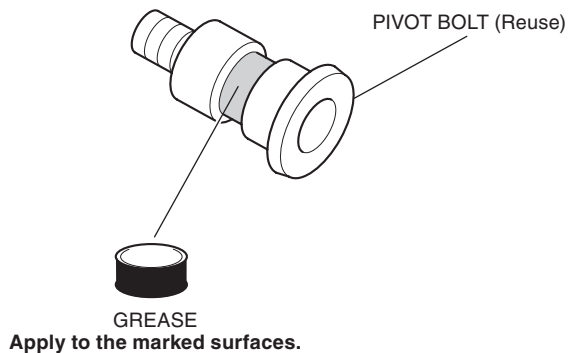
16. Install the stroke sensor stay as shown.



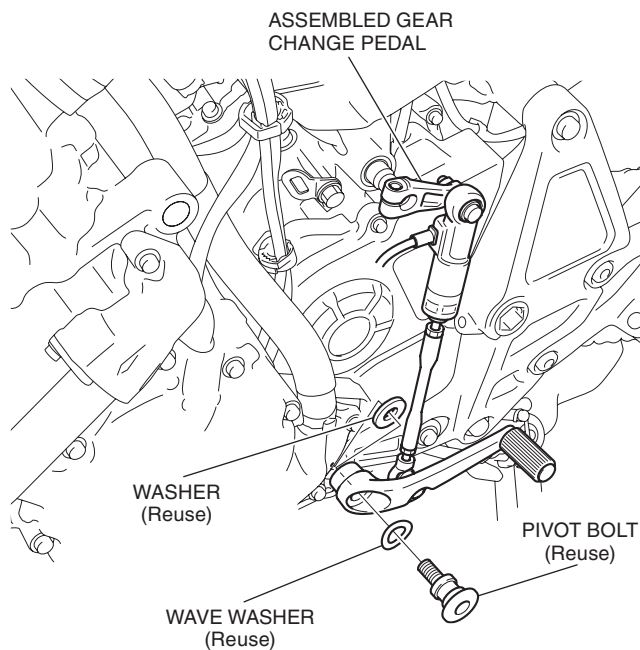
17. Install the assembled gear change pedal as shown.



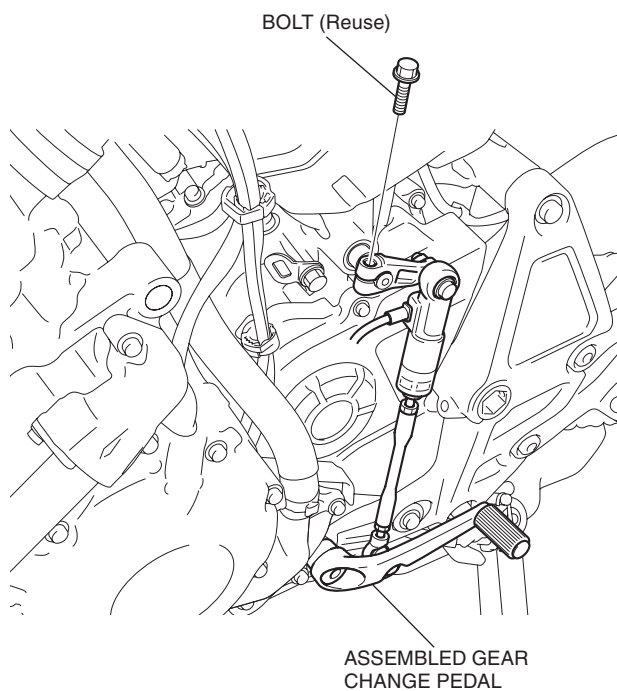
18. Apply grease to the bolt as shown.



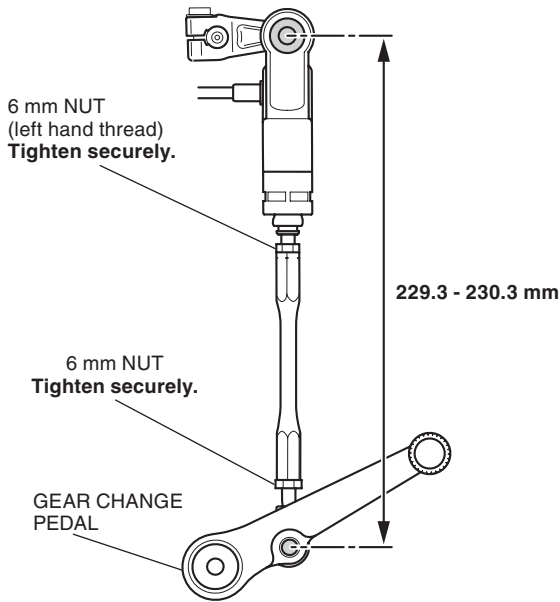
19. Secure the gear change pedal as shown.



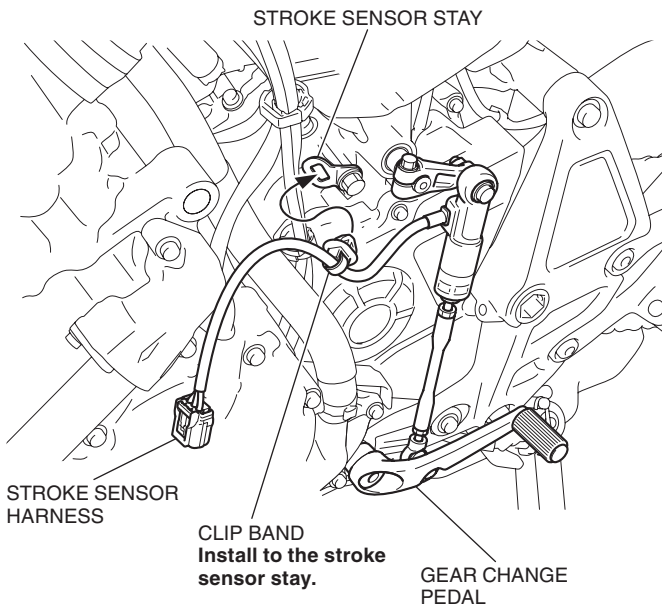
20. Install the bolt as shown.



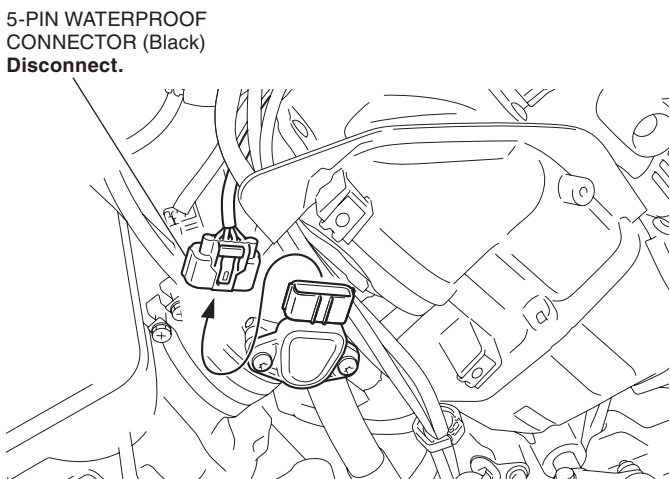
21. Tighten the loosely installed parts securely to the dimension shown.



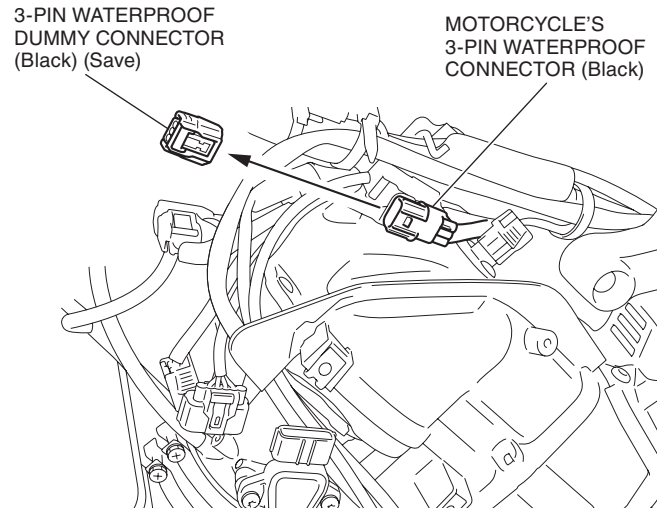
22. Secure the stroke sensor harness as shown.



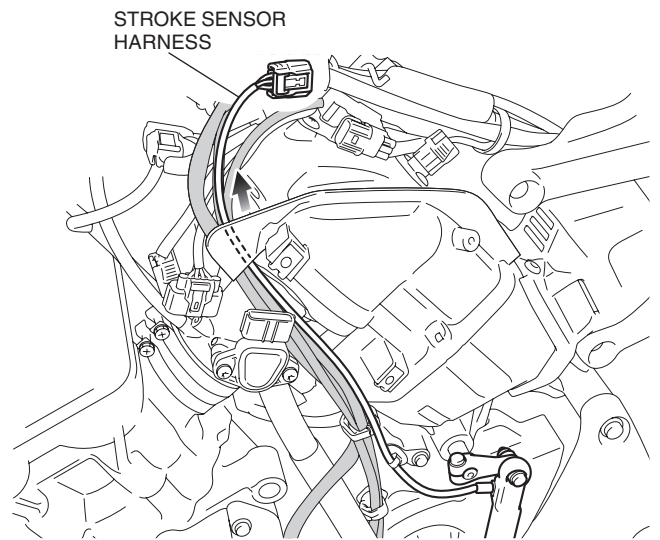
23. Disconnect the connector as shown.



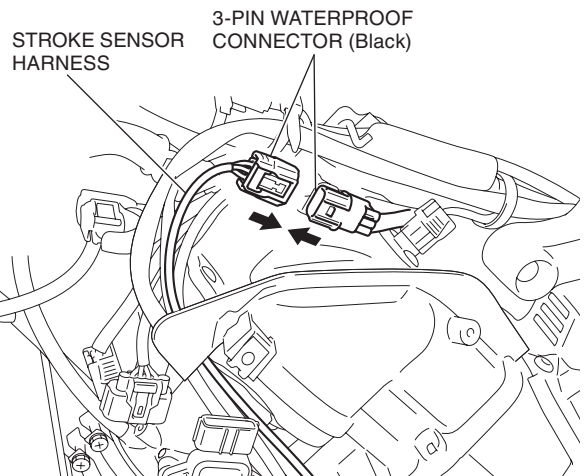
24. Disconnect the dummy connector as shown.



25. Route the stroke sensor harness as shown.



26. Connect the stroke sensor harness as shown.




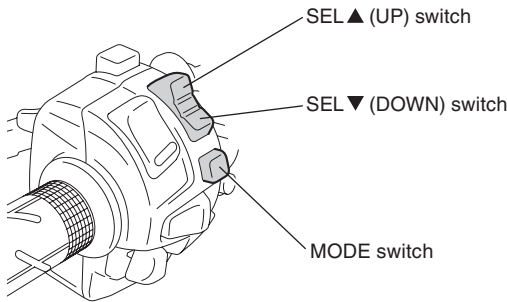
27. Install the motorcycle's parts in the reverse order of removal.

- **Confirm that any wire harness is not caught or too tight.**

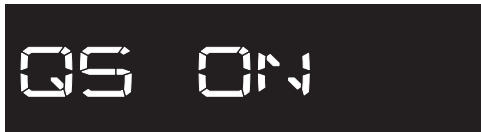
28. Check the quick shifter for proper operation.

INITIALIZATION INSTRUCTIONS

1. Connect the SCS short connector (070PZ-ZY30100) to the DLC.
2. Turn the ignition switch ON and engine stop switch “”.
 - **Do not start the engine.**
3. Push and hold the MODE and SEL▲ or SEL▼ switch.



4. Select the “QS ON”. (After removing the quick shifter, select the “QS OFF”).
 - **Select the item with SEL▲/SEL▼ switches then decide the item with MODE switch.**



5. Shift the transmission to the neutral position then do not touch the pedal.
6. Start the engine and let it idle.
 - **Do not operate the throttle grip.**

7. Wait for the display shows the message that “OK FIN”.
 - **If the display shows the message that “NG”, check the mounting conditions of the shift stroke and shift drum angle sensors, then restart the initialization again.**

Initialization completion



Initialization failure



8. Turn the ignition switch OFF and remove the SCS short connector.

OPERATING INSTRUCTIONS

This accessory enable the shift change without clutch operation when shifting up and down during acceleration. (Engine speed is more than 1,350 rpm on upshifting or more than the 1,200 rpm (idle speed) on downshifting)

- If the gear position display is not normal, the shift feeling may change.
- When the shift change do not operate normally, the shift change by clutch operation can be operated.

If you cannot shift up and down by operating the shift pedal during acceleration, a failure may occur. Refer to the Service Manual for the troubleshoot of the Quick Shifter.